



SunLike

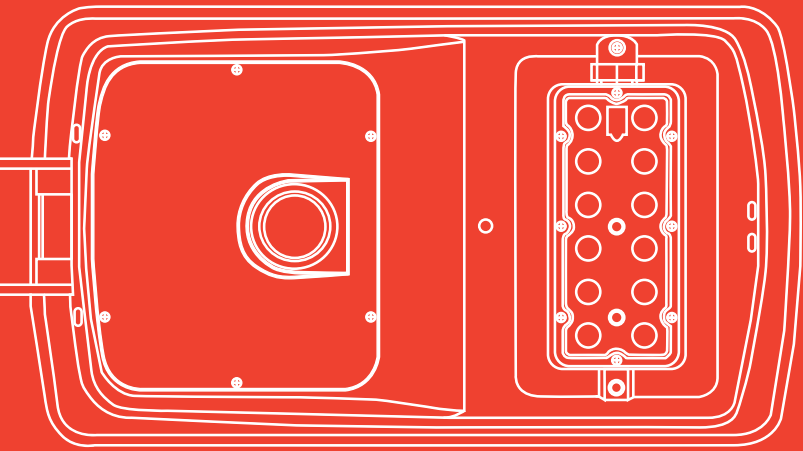
8W 20W 30W

User Manual

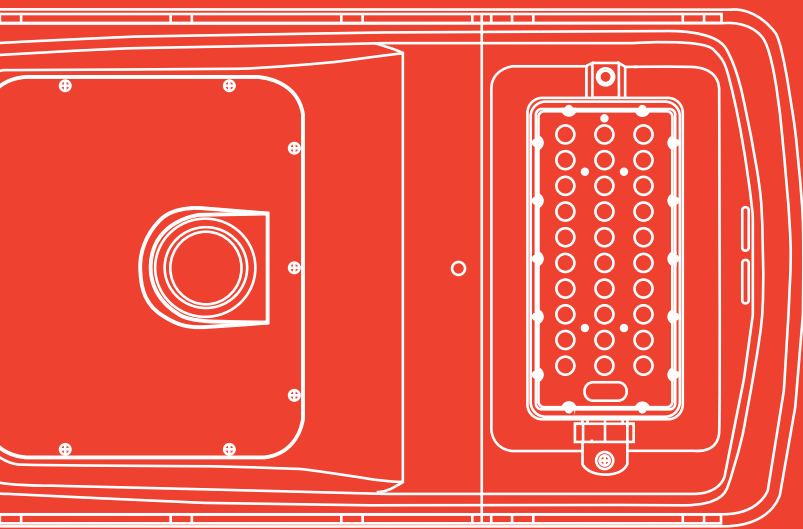
SOLTECH offers Eco-friendly technology
to help users benefit clean energy.



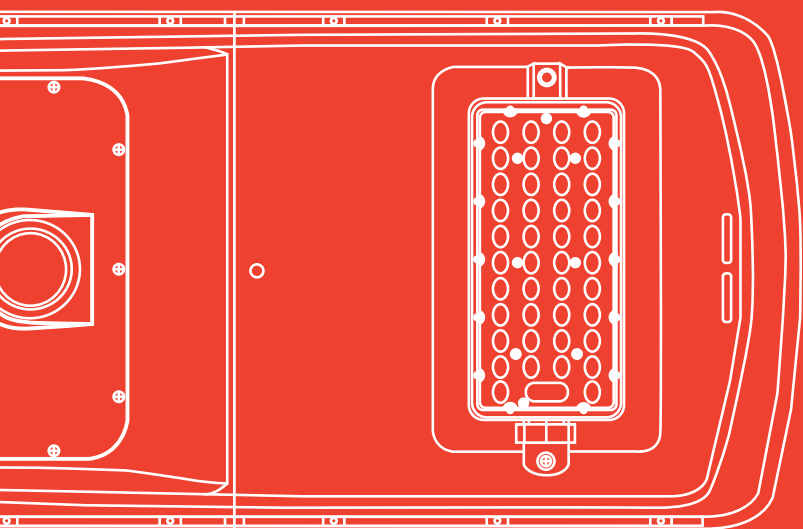
SOLTECH
Smart Solar Lighting



Sunlike 8W



Sunlike 20W



Sunlike 30W

Contents

01 Introduction	04
02 Specification	05
03 Luminous Distribution	06
04 Battery Notes	07
05 Installation and Wiring Compliance	08
06 Mounting Accessories	09
07 Installation	010
08 Panel Angle	012
09 Remote Control Guide	014

01 Introduction

Thank you for purchasing Sunlike Urban Lighting Products.

Introduction

Outdoor solar lighting systems use solar cells which convert sunlight into electricity. Electricity is stored in batteries for use at night. Sunlike solar lights are easy to install and virtually maintenance free. Using them won't increase your electric bill.

Important

In order to avoid deep discharge of the battery during storage, please fully recharge your battery every 4 months. Please make sure that the light is installed in an area with sufficient sunlight irradiance. A strict minimum of 3.5 hours/day of sunshine on average is recommended. Select the right operating mode according to the local legislation needs and the local sunshine conditions. Keep it away from shadows. Self-cleaning available when the light fixture have minimum angle of 15 degrees.

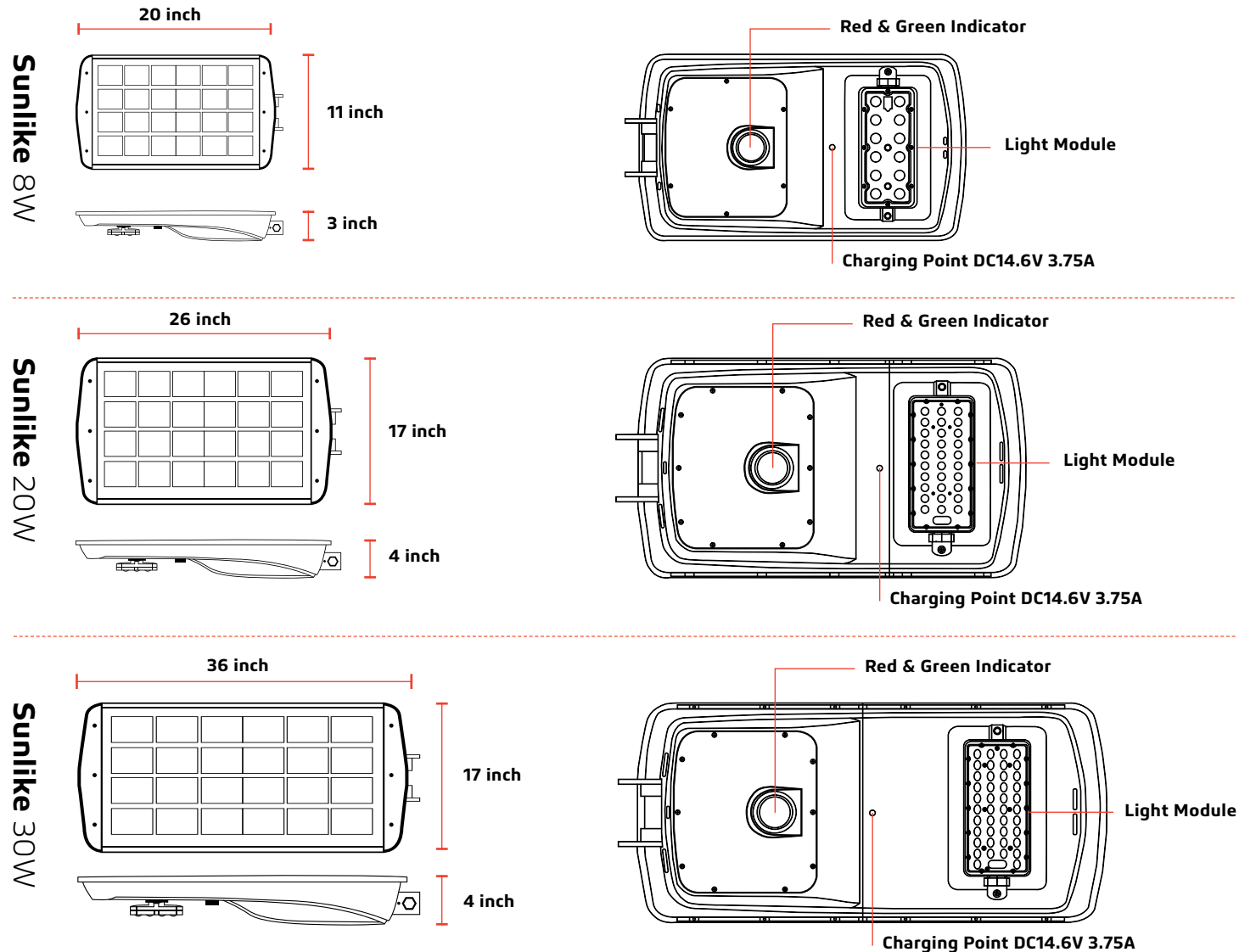
Please save these instructions. Read all of the instructions carefully before attempting to carry out any installation or wiring. Do not open or

attempt to repair the product on your own, as it may cause serious damage and would void the product warranty. Contact your local distributor for any questions concerning the installation.

Range of the light module on the lighting fixture is 20–26 feet (6–8 meters). The ideal installation spacing is >16 feet (5 meters). When installing two or more lighting fixtures on one pole, select desired operating mode before installation. Interference can cause delay or malfunction when using the remote control to change operating modes after installation.

Precautions when working with solar panels

When the solar panel is exposed to sunlight, a voltage appears at the output terminals of the solar panel turning it into a source of electricity. To avoid a shock hazard, make sure the solar panel is covered with an opaque (dark) later such as paper or cloth during the installation. Do not make contact with the terminals when the panel is exposed to sunlight or any other light source.



02 Specification

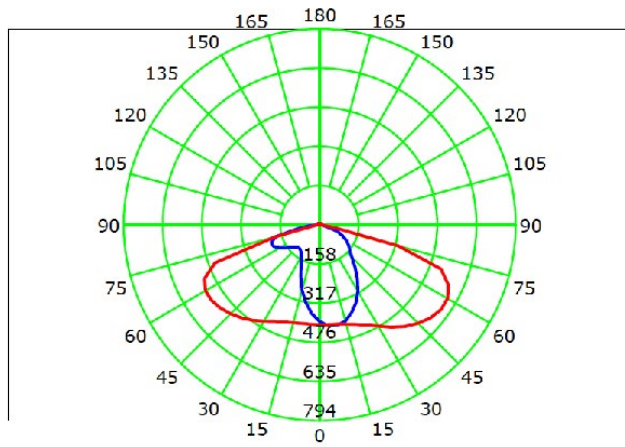
Designation	Sunlike 8W	Sunlike 20W	Sunlike 30W
LED Nominal Power	8	20	30
Solar Panel	18V 17W	18V 36W	18V 52W
LiFePO ₄ Battery	12.8V 9AH	12.8V 20AH	12.8V 30AH
Weight	11.7 lbs	21.4 lbs	29.8 lbs
Lumen Output@5000K	1600	4000	6000
EPA	2.67	4.75	6.26
Waterproof Rate	IP65	IP65	IP65
CRI	> 70	> 70	> 70
Casting	Aluminum	Aluminum	Aluminum
Efficiency@5000K	200 lm/W	200 lm/W	200 lm/W
LED Chip	Lumileds 5050 (215lm-CR>70)	Lumileds 5050 (215lm-CR>70)	Lumileds 5050 (215lm-CR>70)
* Charging Time	7hrs	7hrs	7hrs
Autonomy (@Full Power)	10hrs	10hrs	10hrs
Operation Mode	Remote control and One-key Setting	Remote control and One-key Setting	Remote control and One-key Setting
Installation Height	6 to 13ft	9 to 16ft	9 to 20ft
* Operating Temperature	-4 °F to 122 °F	-4 °F to 122 °F	-4 °F to 122 °F
* Charging Temperature	32 °F to 149 °F	32 °F to 149 °F	32 °F to 149 °F
Maximum Autonomy			
Motion Sensor Mode	40%–100% 35hrs 20%–80% 55hrs	40%–100% 35hrs 20%–80% 55hrs	40%–100% 35hrs 20%–80% 55hrs
Time Control Mode	Night Owl 28hrs Early Bird 25hrs	Night Owl 28hrs Early Bird 25hrs	Night Owl 28hrs Early Bird 25hrs
Constant Mode	100% 12hrs 70% 17hrs 40% 30hrs	100% 11hrs 70% 15.5hrs 40% 27hrs	100% 11hrs 70% 15.5hrs 40% 27hrs

* The temperature can impact the battery's charging and normal operation. If your place's temperature is under 32°F, we advice you to use the Sunlike Pro version to achieve better lighting results.

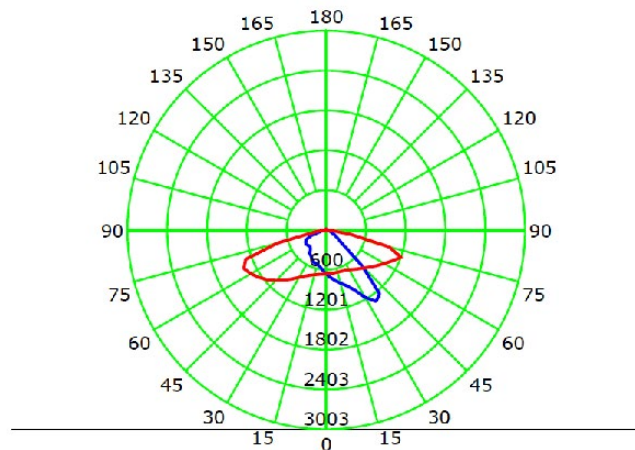
* The solar charge time data is base on 25 degree Celsius ambient temperature with the panel pointed vertically at the solar radiation. The standard radiation value is 1000W/5qm.

03 Luminous Distribution

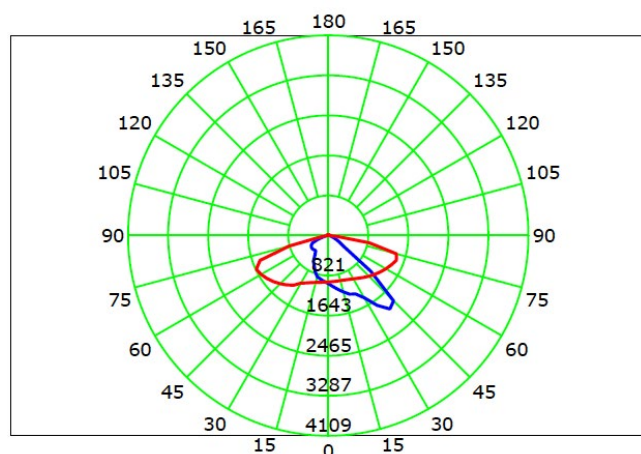
Sunlike 8W Type III



Sunlike 20W Type III



Sunlike 30W Type III



04 Battery Notes

1. The LiFePO₄-battery-powered Sunlike lights are visibly brighter than other outdoor solar lights, and their performance overall is more reliable.
2. To charge the battery fully may take up 6 to 12 hours.
3. The rechargeable battery can work continuously for 10 hours at full power.
4. Output will be reduced to 40% when the battery is below 40% of its capacity.
5. Battery will stop charging when the ambient temperature is below 32°F or above 149°F.

Battery Status is indicated by the red/green indicator on the lighting fixture as follows:

- Red indicator (Charging)
 - > Slow red light flashing = Charging
 - > Red light continuously on = fully charged
 - > Quick red flashing = charge fault
- Green indicator (not charging)
 - > Green light continuously on = more than 40% of the battery capacity remaining
 - > Slow green light flashing = battery capacity below 10%
 - > Quick green light flashing = battery below 0% mode—Protect battery does not over discharging

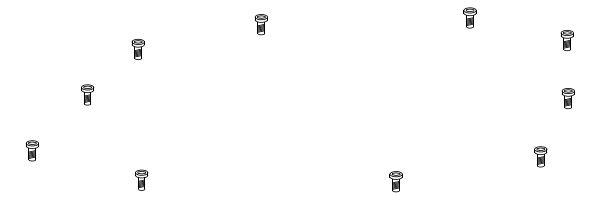
Storage

To avoid over discharge of the battery during storage, please recharge the lighting fixture every 4 months. Use the dedicated charger to charge, reset the switch when done.

Battery Replacement

1. Loosen the screws of the battery pack.
2. Disconnect the wire connectors.
3. Take out the battery pack.
4. Replace with a new one, connect the wire connectors.
5. Tighten the screws.

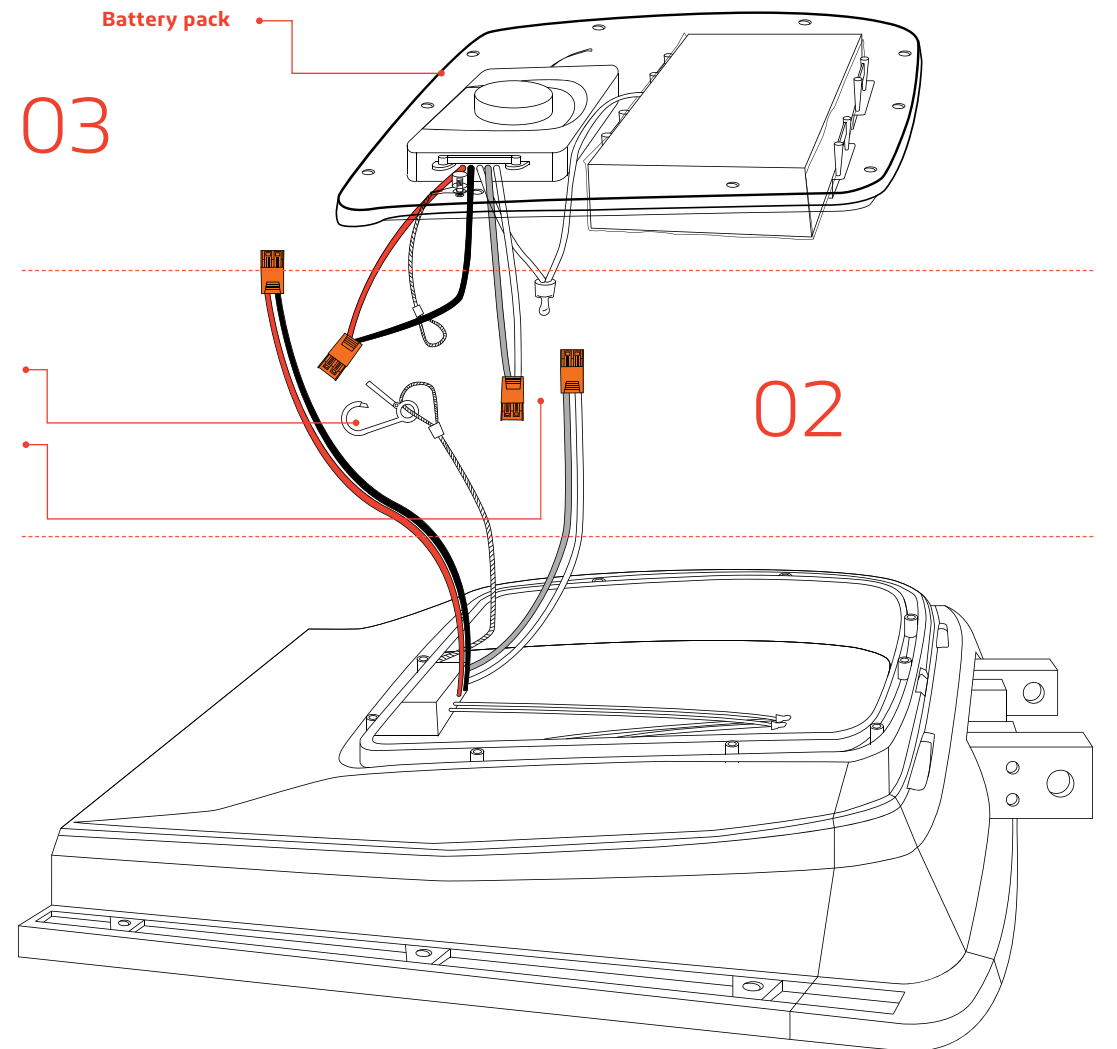
01



Important

Release the safety rope after disconnecting the wire connectors.
Make sure the color of the wires match while connecting.


03



(IAP) Intelligent Adaptive Program Battery Control Technology

In order to extend the off-grid autonomy of the Sunlike under shady trees, heavy rain, and thick clouds, our controllers now integrate an adaptive smart control feature to actively track battery capacity and adjust light output accordingly. Before integrating this feature, selecting a light output percentage on the remote would yield an accurate percentage of max LED brightness. Now with (IAP), the controller actively monitors the battery and regulates the electrical current to the LEDs. The controller makes light output of the selected percentage on the remote relative to battery capacity rather than max LED output. This smart-control feature can increase our off-grid performance by up to 40%.

05 Installation and Wiring Compliance

1. Installation and wiring must comply with the State and National Electrical Codes.
 2. The Sunlike 8W/20W/30W model is intended for outdoor use only and should not be installed in an unventilated area, and shall be installed in an environment within the operational temperatures defined for the product.
 3. The average sunshine in the installation area should be above 3.5 hours/day in order to ensure full function of the lighting fixture. Avoid areas with shades.
 4. Before installation, if applicable, please ensure the light pole and its foundation are solid enough to withstand the lighting fixture(s).
 5. Before installation, please ensure that the battery is fully charged. Install during sunny days if possible.
 6. Before installation, please press the  ON/OFF key in the remote control and check whether it shows a red light on the indicator. Please cover the panel and check if the light module turns on normally within 1 minute.
- After Installation**
The lighting fixture will automatically turn on at night and turn off during daylight.

Important
Always orient the solar panel facing the equator (e.g. facing south if in northern hemisphere).
Always have a tilt angle of at least 15° to avoid dust accumulation (0°=horizontal plane).

Ordering Information Chart

Series	Wattage	Color Temperature	Mounting Options	Finish
TLSTC=Sunlike	008=8W 1600 Lumens	X=3=3000K	YY=WM=Wall Mount	ZZ=GY=Gray
	020=20W 4000 Lumens	X=4=4000K	YY=TRR=Trunnion Round	ZZ=BZ=Bronze
	030=30W 6000 Lumens	X=5=5000K	YY=TRS=Trunnion Square	
		X=6=5700K	YY=SF=Slip Fitter	
			YY=SA=Straight Arm	

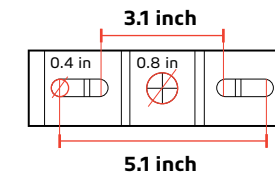
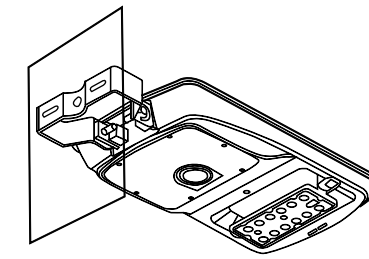
Sample Number: TLSTC008XYZZ

For example: TLSTC0083TRSGY
This means the customer wants a Sunlike 8 watt, 3000k temperature, wall mount installation, with a gray finish.

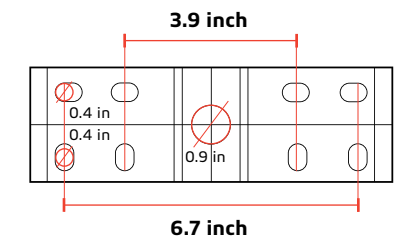
DO NOT send the sample number directly to our salers. Use the information in the chart above to create a model number with the correct series, wattage, temperature, mounting option, and finish for the product that you want.

06 Mounting Accessories

A. TRUNNION—Wall Mount

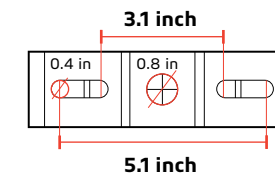
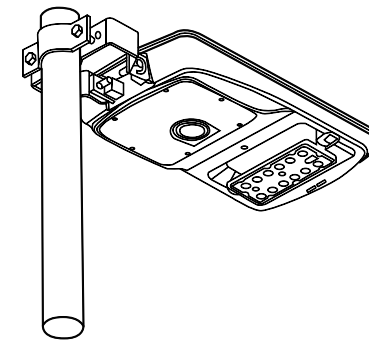


A-a. TLSTC-WM-8W (for Sunlike)

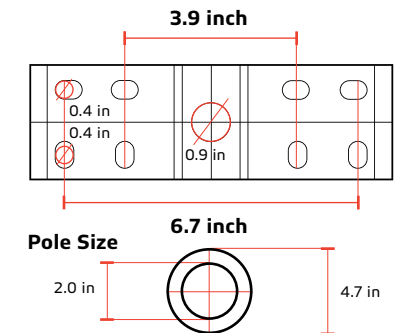


A-b. TLSTC-WM-20W/30W (for Sunlike 20W/30W)

B. TRUNNION—Round

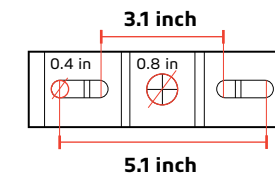
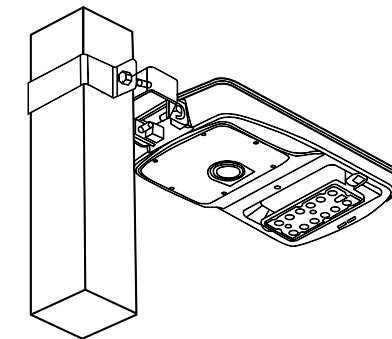


B-a. TLSTC-TRR-8W (for Sunlike 8W) works with 2.0 inch to 4.3 inch poles.

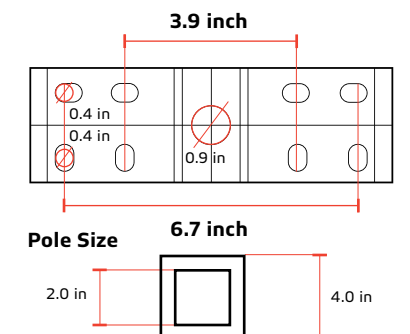


B-b. TLSTC-TRR-20W/30W (for Sunlike 20W/30W) works with 2.0 inch to 4.7 inch poles.

C. TRUNNION—Square

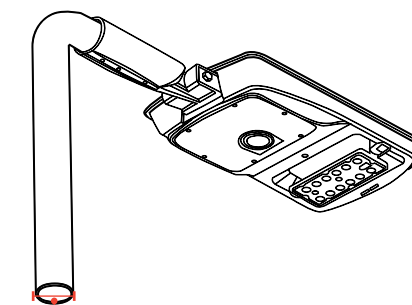
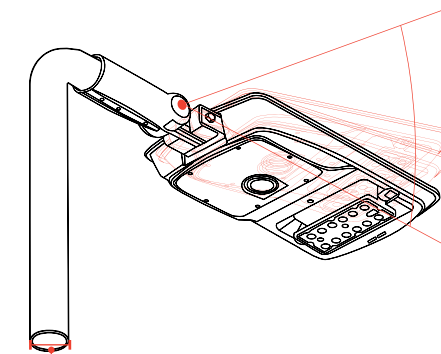


C-a. TLSTC-TRS-8W (for SUNLIKE 8W) works with 2.0 inch to 3.5 inch poles.

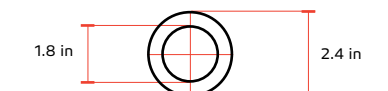


C-b. TLSTC-TRS-20W/30W (for Sunlike 20W/30W) works with 2.0 inch to 4.0 inch poles.

D. SLIP FITTER—Rotative AND STRAIGHT ARM

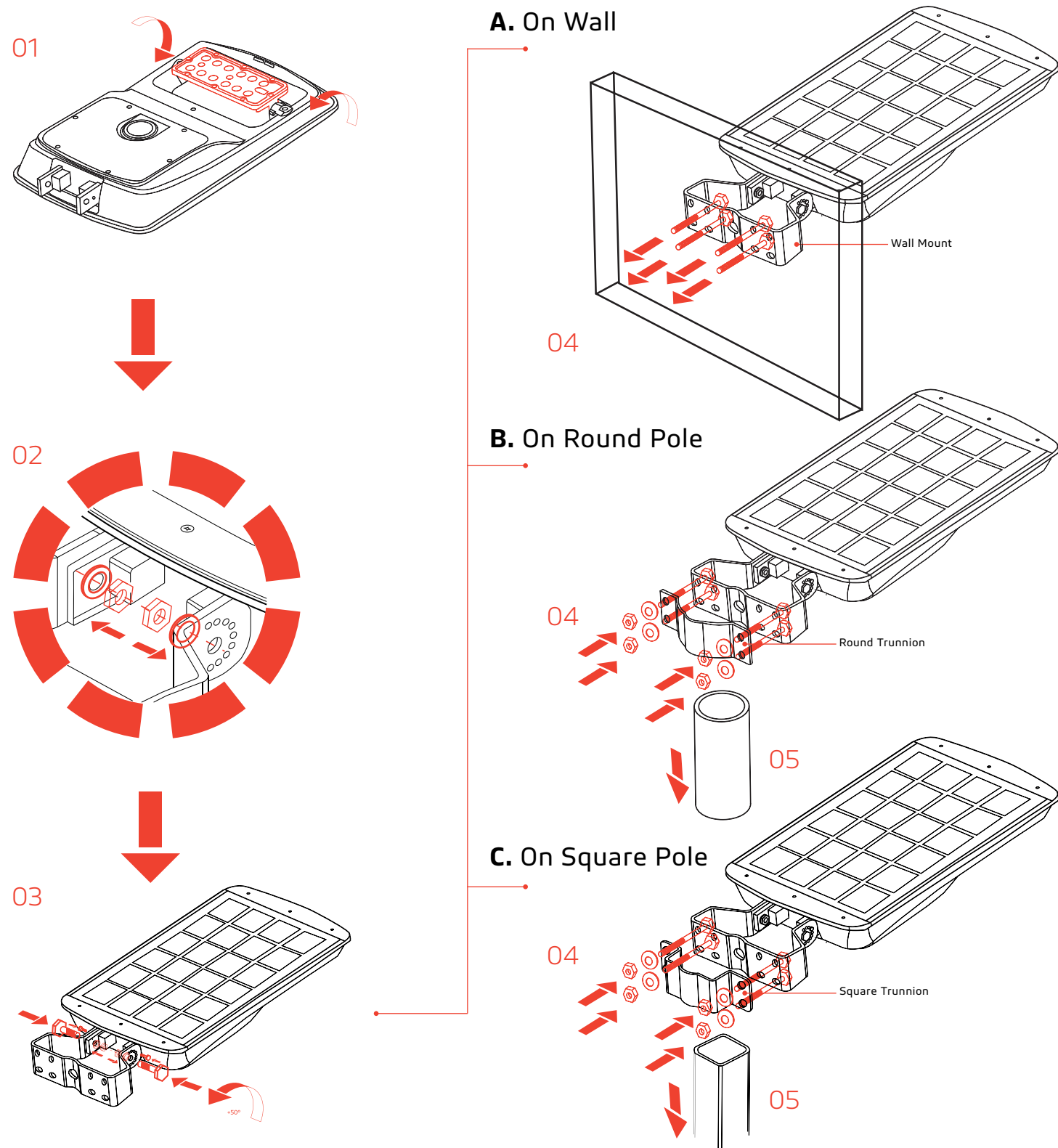


Pole Size For Slip Fitter And Straight Arm

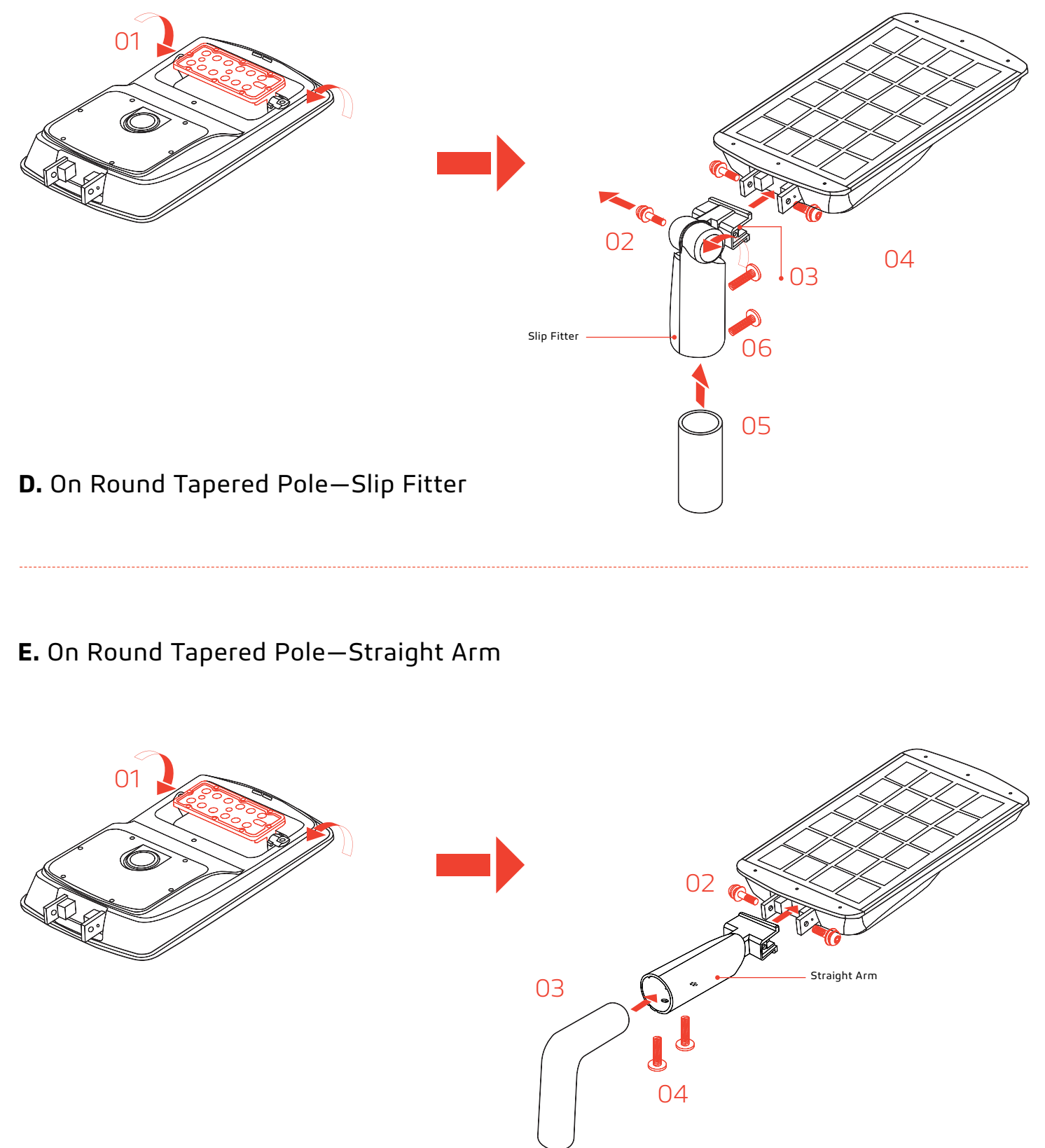


07 Installation

Trunnion Mount



Slip Fitter and Straight Arm



09 Panel Angle

The Solar charge in a battery pack won't last forever, the off-grid system relies on stored daylight for autonomy. Angling your solar panels properly can boost the power intake of your lights. You want to angle your solar panels at a tilt equal to the area's latitude.

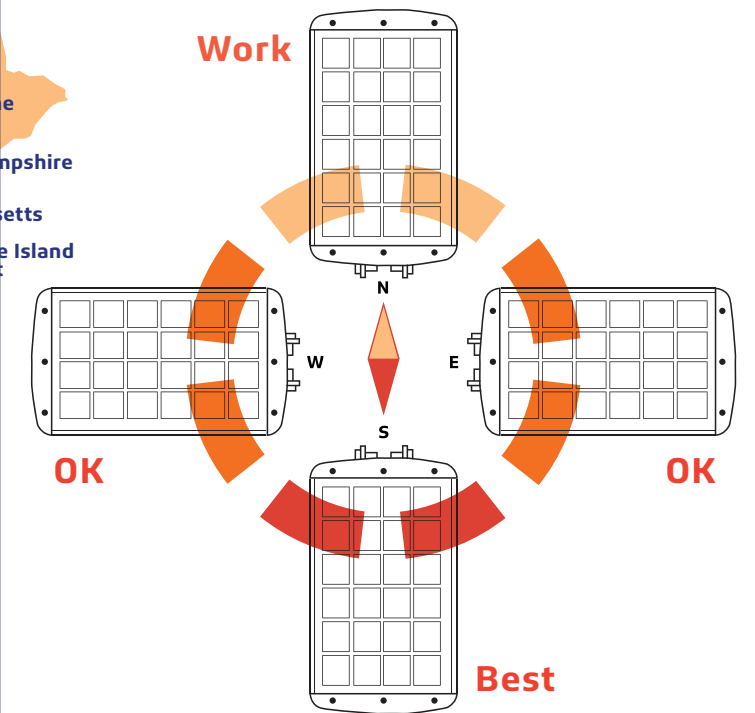
Tip

You can increase the tilt 15° in the winter or decrease 15° in the summer. In this way you can get the maximum sunlight to recharge the battery bank.

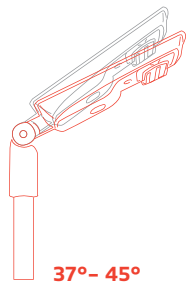
Key



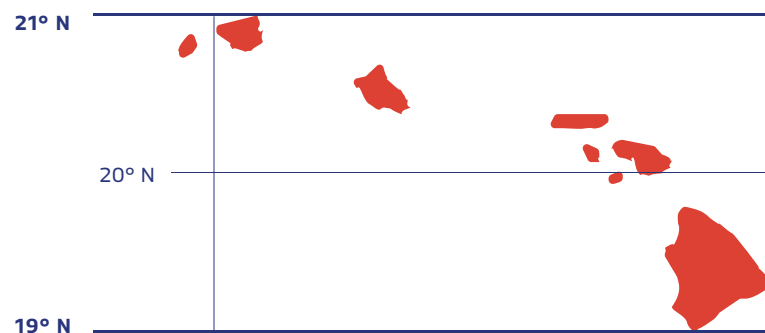
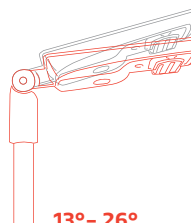
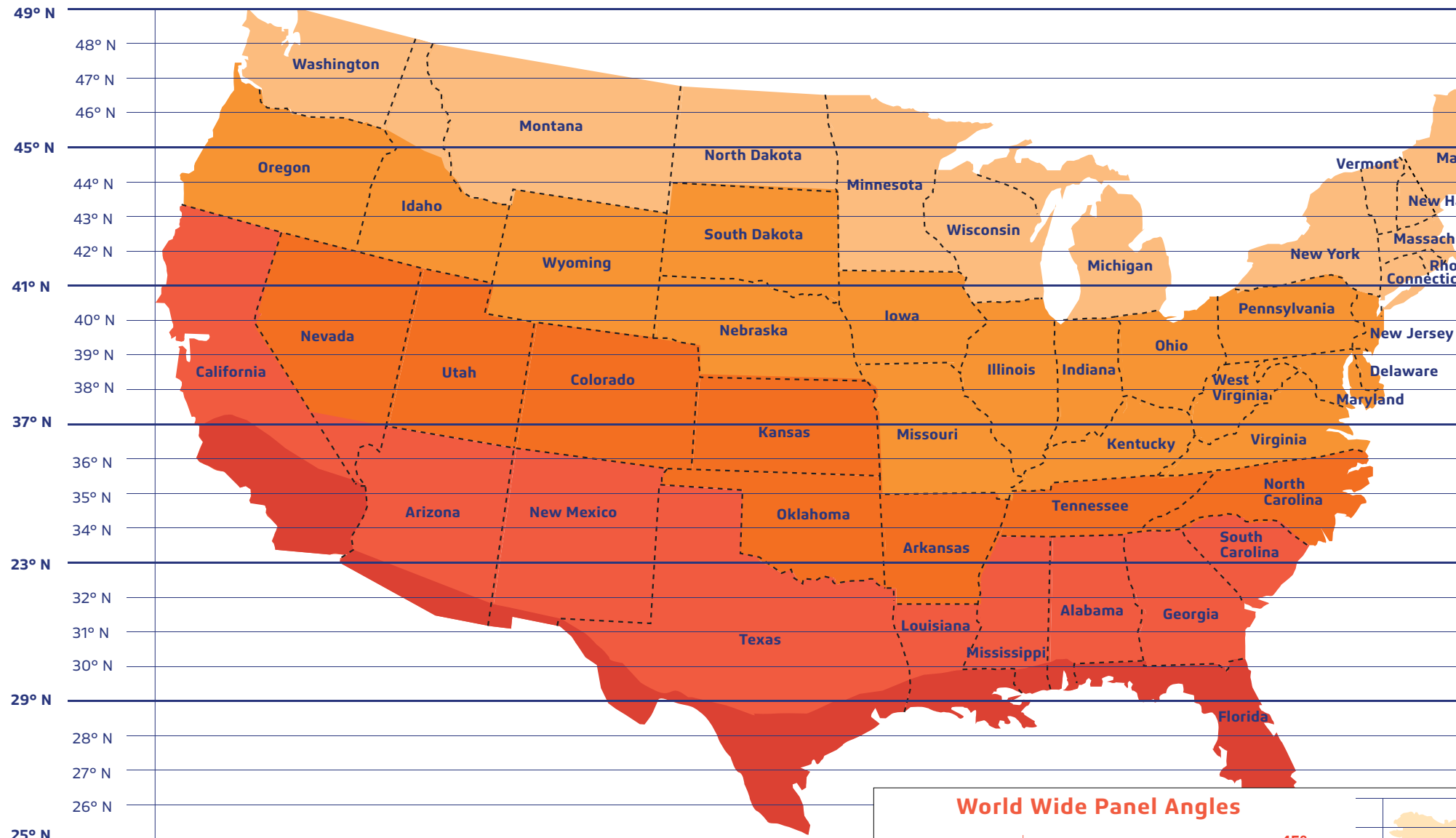
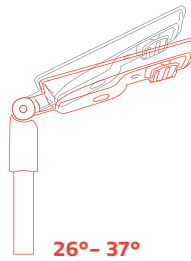
Best Facing Direction of Solar Panel



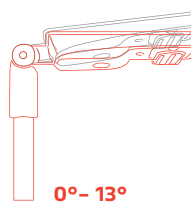
The area will dictate the installation of the fixtures and will sometimes prevent the lights from facing south. But that's okay! Panels facing West & East won't get as much light as a Southern facing panels but will still collect a good amount of sunlight. A North-facing panel also works, but it will take longer to charge than any other direction. This would mean that the solar charge will be less optimal if installations are facing that way.



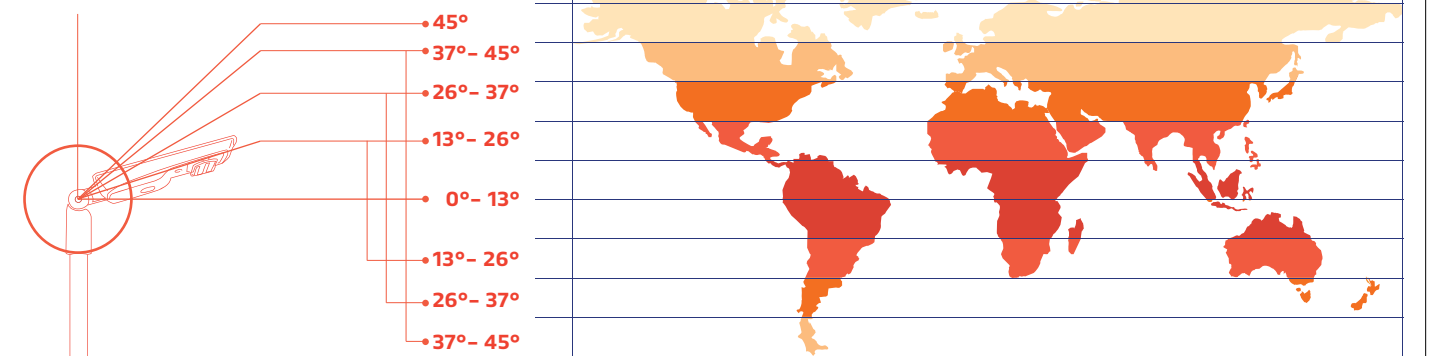
Alaska



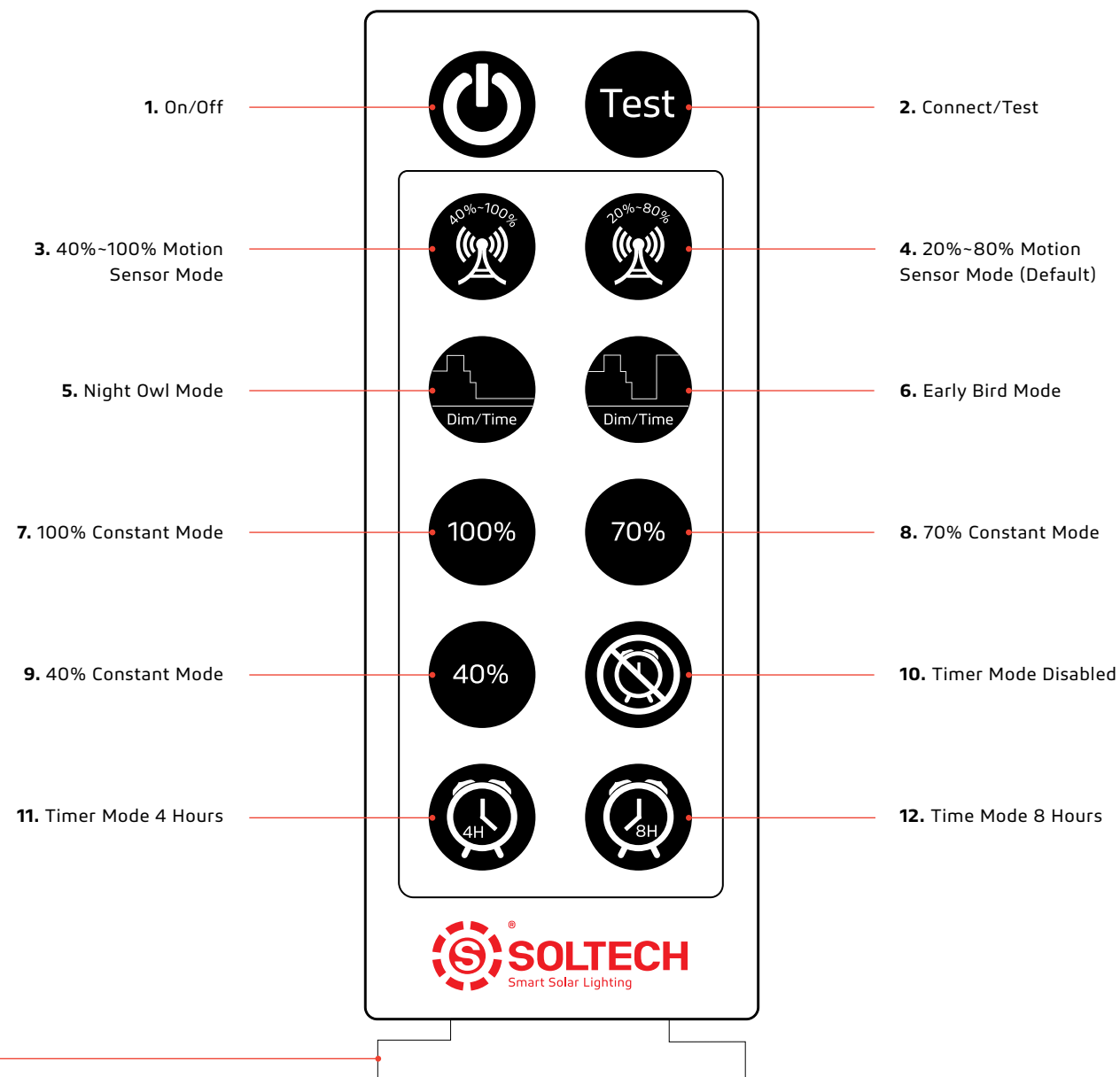
Hawaii



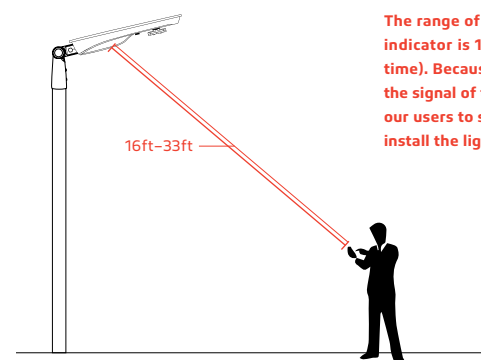
World Wide Panel Angles



09 Remote Control Guide



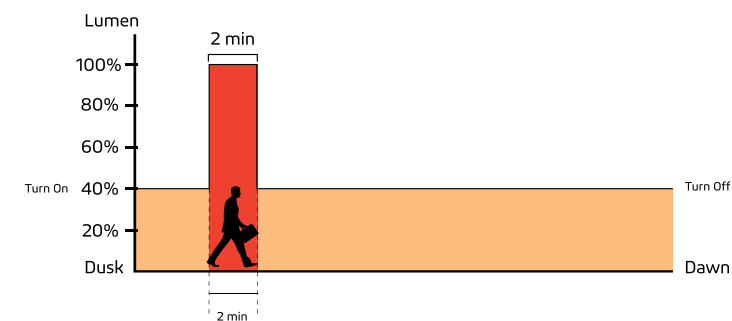
When using the remote for the first time, please remove the plastic piece at the bottom to make the remote turn on.



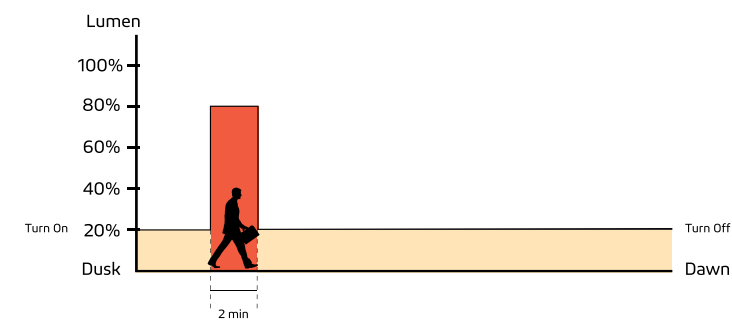
The range of the remote control to the indicator is 16ft (Day time) to 33ft (Night time). Because the sunlight will impact the signal of the remote control, we suggest our users to setup the mode before they install the light.

- 1. On/Off**
When off is selected, the light will stop working. Solar panel will not charge the battery and the battery will not supply electricity to the light.
- 2. Connect/Test**
Remote control device can be connected with any lighting fixture, one at a time. To connect, press the button once. It also functions as a test button. To test, press the "Test" button once, the red light will indicate the fixture is charging, green light indicates that the fixture is operating. Testing lasts for 10 seconds, then goes back to the mode previously in use.

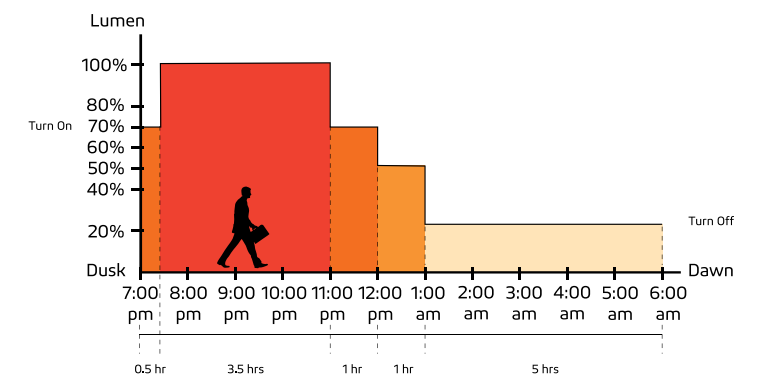
3. 40%-100% Motion Sensor Mode
Constant 40% brightness (turn on at dusk, turn off at dawn); 100% brightness turns on for 2 minutes when motion detected.



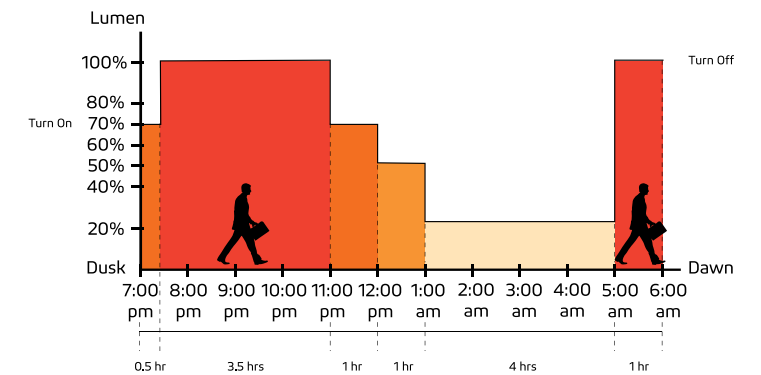
4. 20%-80% Motion Sensor Mode (Default)
Constant 20% brightness (turn on at dusk, turn off at dawn); 80% brightness turns on for 2 minutes when motion detected.



5. Night Owl Mode
Changes as natural light decreases/increases (turn on at dusk); 70% brightness for 0.5 hour, 100% brightness for 3.5 hours, 70% brightness for 1 hour, 50% brightness for 1 hour, 20% brightness for 5 hours (turn off at Dawn).



6. Early Bird Mode
Changes as natural light decreases/increases with increased brightness near dawn for early risers (turn on at dusk); 70% brightness for 0.5 hour, 100% brightness for 3.5 hours, 70% brightness for 1 hour, 50% brightness for 1 hour, 20% brightness for 4 hours, 100% brightness for 1 hour (turn off at Dawn).



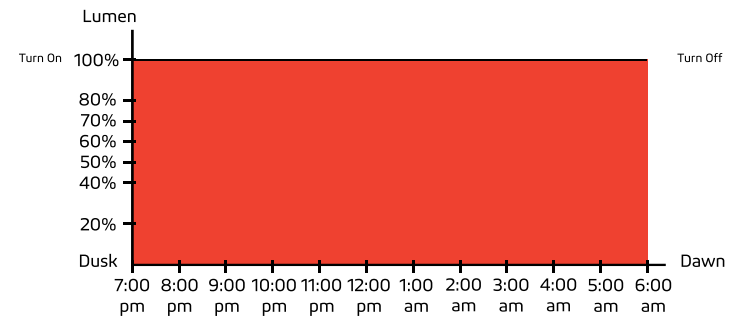
(IAP) Intelligent Adaptive Program Battery Control Technology
In order to extend the off-grid autonomy of the Sunlike under shady trees, heavy rain, and thick clouds, our controllers now integrate an adaptive smart control feature to actively track battery capacity and adjust light output accordingly. Before integrating this feature, selecting a light output percentage on the remote would yield an accurate percentage of max LED brightness. Now with (IAP), the controller actively monitors the battery and regulates the electrical current to the LEDs. The controller makes light output of the selected percentage on the remote relative to battery capacity rather than max LED output. This smart-control feature can increase our off-grid performance by up to 40%.

Important
Dust and dawn time may be different in other locations and seasons. The sensors of our products will follow the light patterns of where it is installed. The time period shown in the chart above is just an example to help you understand the different lighting modes only.

09 Remote Control Guide

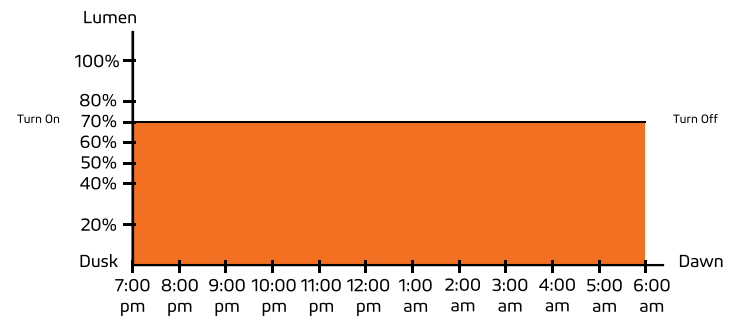
7. 100% Constant Mode

100% brightness from dusk to dawn.



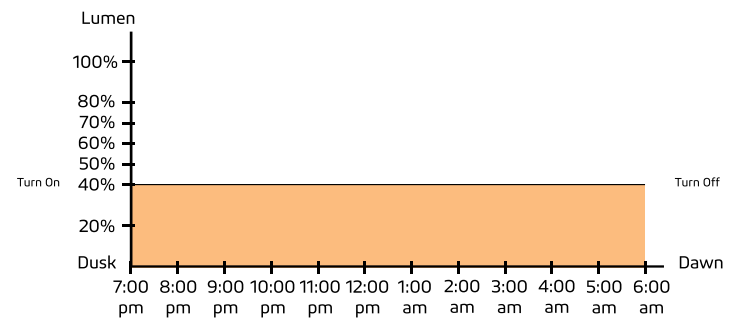
8. 70% Constant Mode

70% brightness from dusk to dawn.



9. 40% Constant Mode

40% brightness from dusk to dawn.

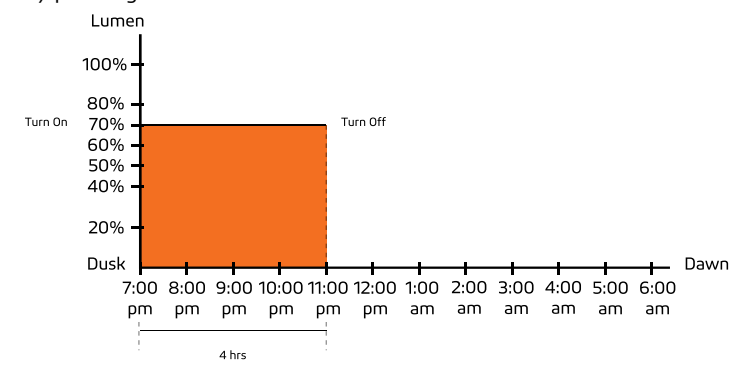


10. Timer Mode Disabled

Press this button to turn off Timer Mode; settings go back to before Timer Mode was last activated.

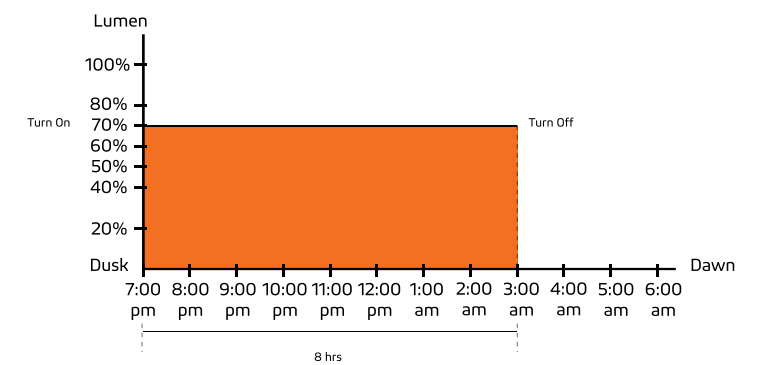
11. Timer Mode 4 Hours

This is an additional mode which can work with any other modes. For example: press this button at any time after you turn on 70% Constant Mode, if the light turns on at 7pm at dusk, it will turn off at 11pm. It will repeat the same schedule hereafter until it is canceled by pressing Timer Disabled.



12. Time Mode 8 Hours

This is an additional mode which can work with any other modes. For example: press this button at any time after you turn on 70% Constant Mode, if the light turns on at 7pm at dusk, it will turn off at 3am. It will repeat the same schedule hereafter until it is canceled by pressing Timer Disabled.



Important

Dust and dawn time may be different in other locations and seasons. The sensors of our products will follow the light patterns of where it is installed. The time period shown in the chart above is just an example to help you understand the different lighting modes only.

Sunlike products are covered by a 5 year limited warranty. Unlike urban light warrants to the original purchaser that this product is free from defects in materials and workmanship for the period of 5 years from date of purchase. To obtain warranty service please contact your local distributor or sales rep for further instruction.



1460 Park Avenue.
Emeryville CA 94608 USA

www.soltechlighting.com

SOLTECH LLC reserves the right to update all product data sheets at any time. Consult SOLTECH marketing specialists for publication updates at hello@soltechlighting.com

*Copyright©2019–2020 SOLTECH LLC,
All Rights Reserved.*

**SOLTECH offers
Eco-friendly
technology to help
users benefit
clean energy.**